



#710852

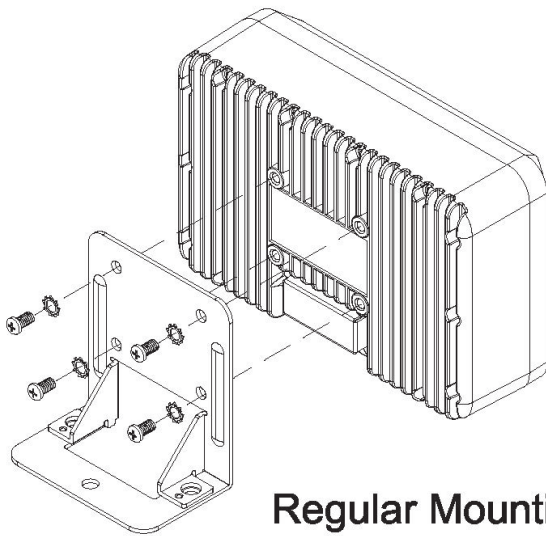
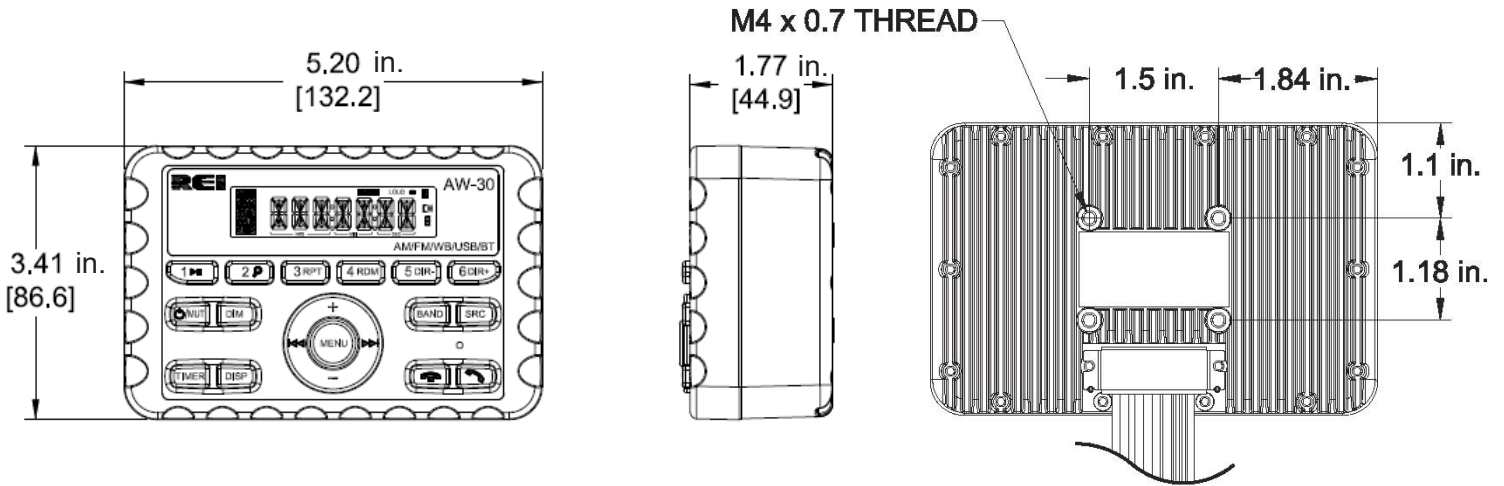
Our AW-30 Mini Radio masterfully combines utility and entertainment, offering a range of features within a compact unit. Its robust construction endures the challenges of the jobsite, farm, or trail, making it an ideal outdoor companion for staying in touch.



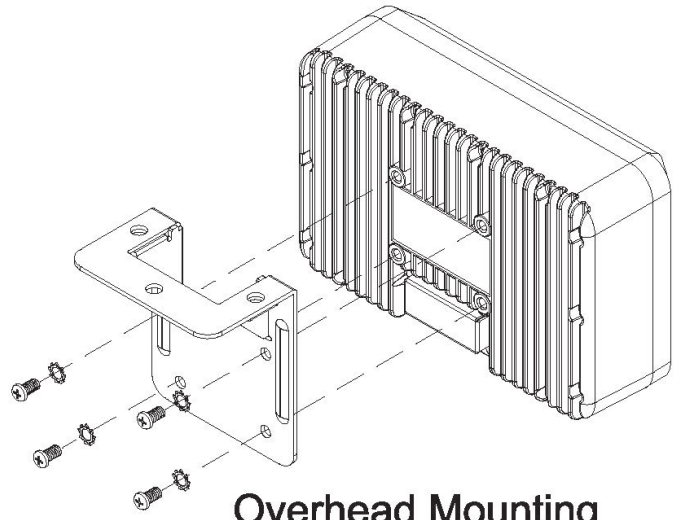
AW-30 MINI RADIO

- 12V/24V DC power (10V-30V)
- Weatherproof front panel & chassis
- Bluetooth for streaming audio (A2DP)
- Bluetooth for hands-free phone calls (HFP) via built-in microphone (remote-mount Bluetooth microphone sold separately)
- Caller ID phone numbers for incoming calls
- iPhone/Android charging via rear USB input-Type A (Front panel-mount USB input cable sold separately)
- USB input supports MP3/WMA playback
- Displays ID3 tag information
- 7-Channel NOAA weather band tuner
- AM/FM station presets (USA/Euro) with RDS
- 30 Programmable station presets (18 FM, 12 AM)
- 2-Channel amplified speaker output (25 watts x 2)
- Rear audio AUX input (RCA)
- Two-wire connection prevents battery drain
- Clock operates up to 30 days when vehicle battery is disconnected
- Station presets saved when vehicle battery is disconnected
- Built-in jobsite work timer
- Low battery alarm
- Corrosion- and UV-resistant materials and finishes
- Amber LED button backlighting and display
- Universal mounting provisions (AMPS Pattern)
- Regular/overhead mounting bracket and hardware included
- Operating temperature range: -22° F to 185° F/-30° C to 85° C
- FCC certified
- Dimensions: 5.2" W x 3.4" H x 1.7" D

REI® AW-30 MINI RADIO

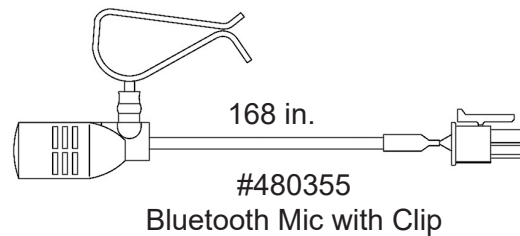
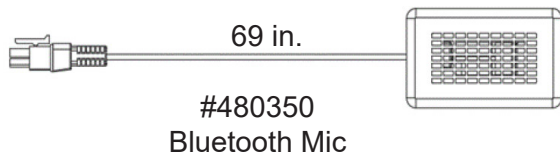
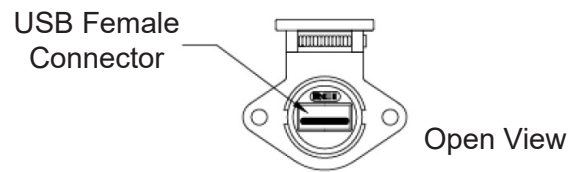
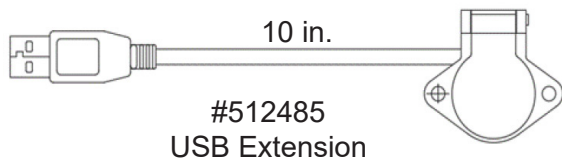


Regular Mounting



Overhead Mounting

OPTIONAL ACCESSORIES



REI stocks a wide range of speakers, antennas, factory/OEM wire harness adaptors, mounting brackets, and wiring kits for your AW-30 Mini Radio. Contact an REI sales representative for more information.